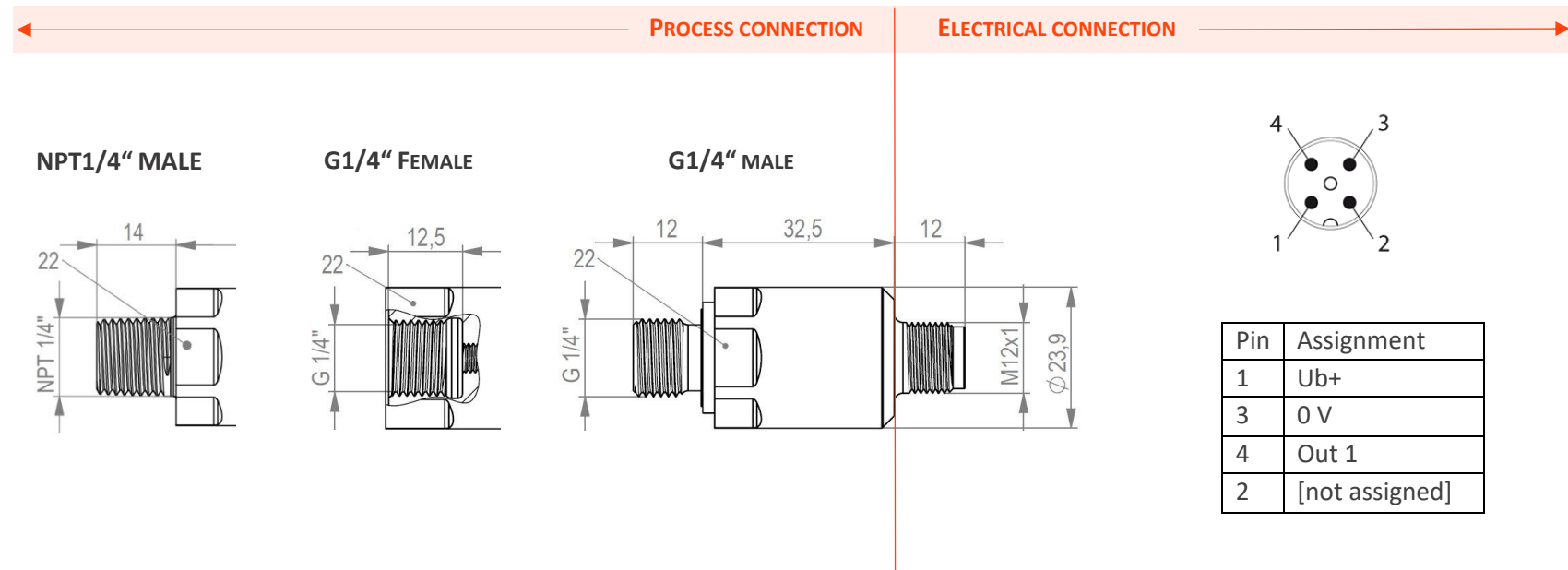


DATA SHEET | ENGLISH



One of the smallest sensors with ceramic measuring cell and yet extremely robust. The housing with IP68 protection class is made of solid stainless steel and designed for continuous industrial use.



General data

Protection class rating	IP65 / IP67 / IP68
Protection level	III
Expected lifetime	100 Mio. load changes
Pressure type	relative pressure
Measuring cell type	ceramic
MTTF (40°C)	2,236 years (continuous operation)

Ordering information

5 - 30 - X 1 X X - XXX X XX

Process connection	Output signal	Sealings	Firmware	Pressure range*
G1/4" M (Außen) 1	0-10V 5	NBR (=Standard) 1	Standard 00	-1...1 bar 001 2
G1/4" F (Innen) 5	1-10V 6	FKM 2	Kundenspezifisch >00	-1...5 bar 005 2
NPT1/4" M (male) 3	4-20mA 7	EPDM 3		-1...10 bar 010 2
				0...10 bar 010 0
				0...16 bar 016 0
				0...25 bar 025 0
				0...40 bar 040 0
				0...100 bar 100 0
				0...250 bar 250 0
				0...400 bar 400 0
				0...600 bar 600 0

*more pressure ranges available on request

Mechanical data

Process connection	G1/4" M, G1/4" F, NPT1/4" M
Wrench size pressure connection	22
Weight	68g (G1/4" M, NPT1/4" M); 103g (G1/4" F)

Electrical data

Electrical connection	Connector M12x1, 4-pole
Operating voltage [Ub]	9...30 VDC (13...30 VDC for voltage output)
Current consumption	< 25 mA
Short-circuit / reverse polarity prot.	yes / yes

Output

Out 1 (Pin 4)	0-10V / 1-10V / 4-20mA
Min. load resistance (0-10V / 1-10V)	2 kΩ
Max. load (4-20mA)	500 Ω
Response time	< 3 ms

Accuracy

Total accuracy (23°C)	± 0.5% FSO (GP)
max. temperature error (-40...+80°C)	± 1.5% FS (<100bar); ± 2.5% (≥100bar)
Repetition accuracy	± 0.1% FS
Long-term drift	≤ 0.1% FS / a

ATEX Conditions

The pressure sensors may only be connected to suitably approved intrinsically safe equipment that provides device protection according to "ic" (EPL Gc/Dc).

Maximum intrinsically safe voltage: U_i = 30 V

The specified maximum output current of 200 mA per channel must never be exceeded.

Materials (wetted parts)

Material fluid connection / housing	stainless steel 1.4404
Material measuring cell	ceramic Al ₂ O ₃ 96%
Material seals	see ordering information

Materials (non-wetted parts)

Material connector M12	stainless steel 1.4301 / 1.4305
------------------------	---------------------------------

Pressure range

Measuring range [bar]	5	10	16	25	40	100	250	400	600
Overload press.** [bar]	10	20	40	40	100	150	375	500	750
Burst pressure** [bar]	20	35	60	60	140	300	500	650	900

** increased overload resistance available on request

Operating conditions

Operating temperature	Operation: -40...+80°C Fluid: -25...+100°C
-----------------------	---

Range of application	Fluid group 2 media only
----------------------	--------------------------

EMC / interference immunity	EN61000-6-2
EMC / interference emission	EN61000-6-4
Vibration resistance	DIN EN 60068-2-6: 20G, 10-2000 Hz, XYZ
Shock resistance	DIN EN 60068-2-27: 50G, 11ms, XYZ
ATEX approval	Ex ic IIC T4 Gc Ex icD IIC T4 Dc