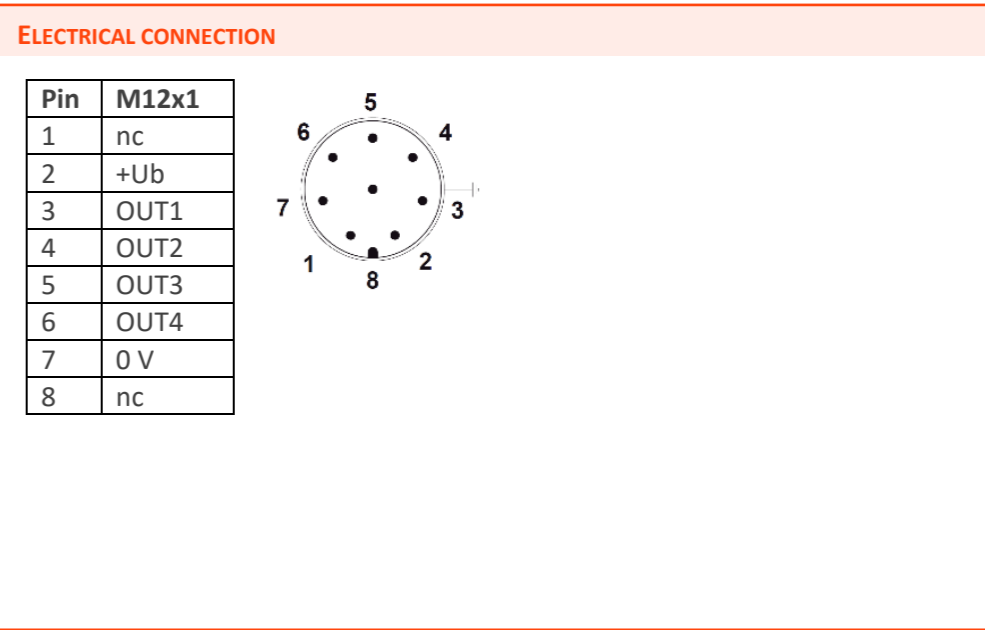
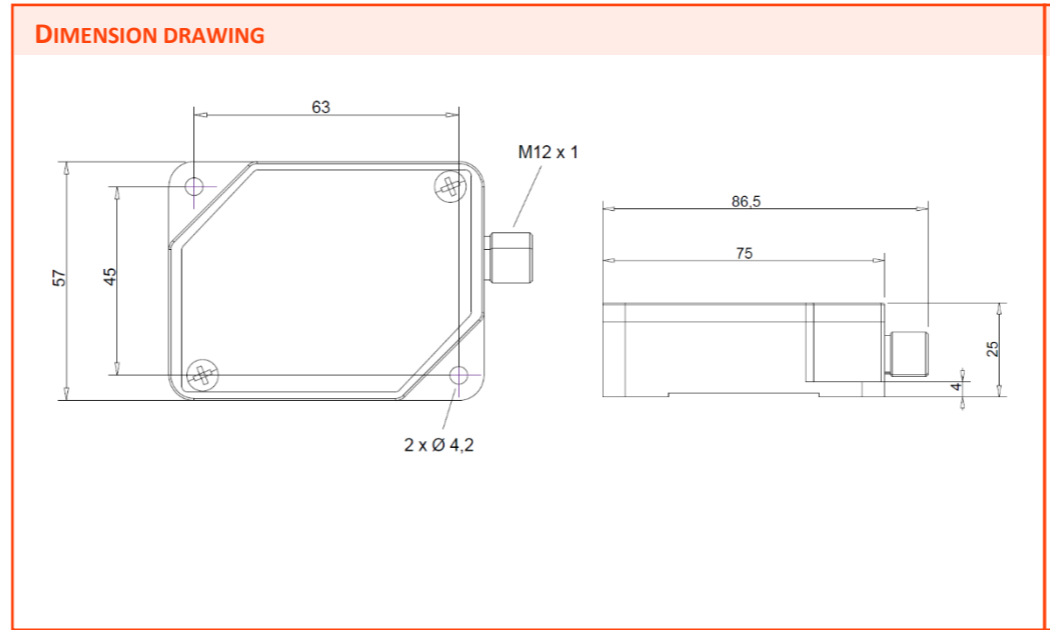


DATA SHEET | ENGLISH



**General data**

Display: 1 status LED each output (red); 4 cross line LED`s (green); 3 digit LED Display (programming support and angle display)

Setting options: Switch / reset point (0...100%); Window mode (0...100%); Output function (NO/NC); Delay Time ON/OFF (0-10 sec. with Steps of 100 msec.)

Protection class: IP67

**Ordering information**

Article number	Adjustment range
50702010	-10°...+10°
50702045	-45°...+45°
50702085	-85°...+85°

**Mechanical data**

Material housing: Aluminum die-cast  
Weight: 183 g

**Electrical data**

Electrical connection: M12x1, 8-pole  
Operating voltage: 9...30 VDC  
Current consumption: < 30 mA  
Short-circuit / reverse polarity protection: yes / yes  
Output signal: 4x PNP  
Output voltage: approx. Ub -1.5 V  
Max. output current: max. 500 mA each output  
Output function: NO / NC (programmable)

**Accuracy**

Repeatability of sensor: 0.03° (typ. Bei 0°)  
Resolution sensor: 0.003°  
Resolution internal display: 3 digits (0,1°)  
Temperature drift at 0°: 0.015°/°C for -20°...25°...60°C  
Long-term stability: approx. 0.036° within 10 years (HTB-Test)

