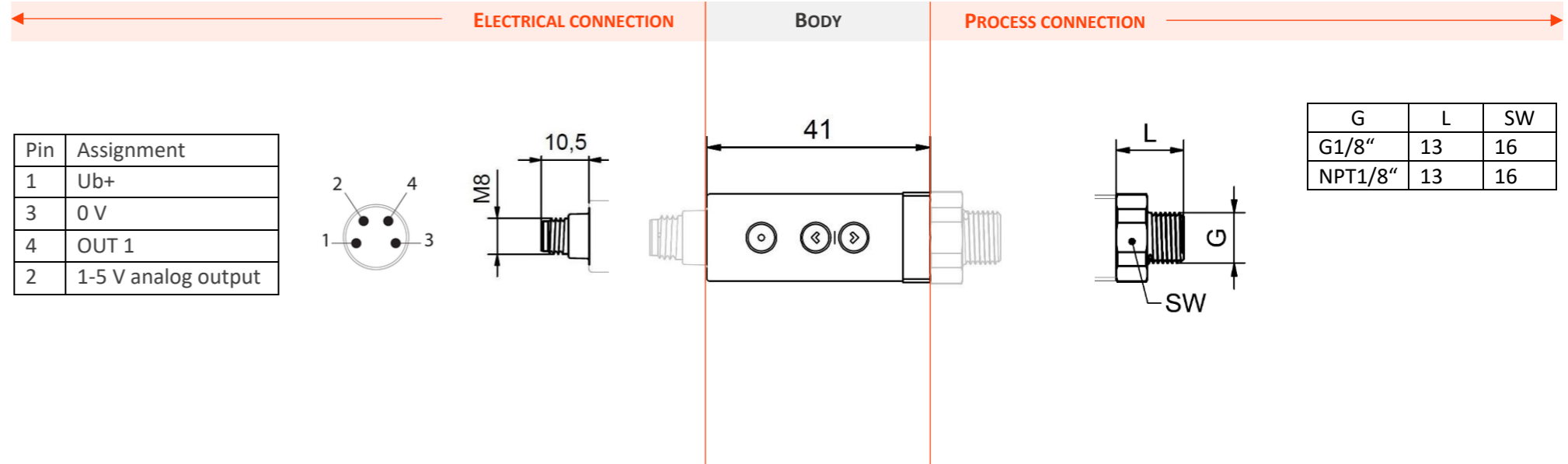


DATA SHEET | ENGLISH



General data

Display	LED operation and switching display
Setting options	Switch point; NO/NC; Hysteresis mode (0...100%)
Operating medium	Filtered, dry or oiled air and non-corrosive gases
Protection class	IP65

Ordering information

1 - 05 - XX 01 - XX 3 X XX

Process connection	Code	Firmware	Code
G1/8"	02	Standard	00
NPT1/8"	04	Customized	>00

Output signal	Code	Pressure range	Code
1x PNP + 1x analog 1-5 V	05	bar psi	
1x NPN + 1x analog 1-5 V	on request	-1...0 -14.5...0	1
		-1...10 -14.5...145	3
		0...0,25 0...3,26	4

Electrical data

Electrical connection	M8x1, 4-pole
Operating voltage	10.8...30 VDC (UL: class 2 source only)
Current consumption	< 30 mA
Short-circuit / reverse polarity protection	yes / yes

Output

Output signal	1x PNP + 1x analog 1-5 V; 1x NPN + 1x analog 1-5 V approx. Ub -1.5 V
Output voltage	max. 250 mA each output
Max. output current	NO / NC (programmable)
Output function	400 Hz
Operating frequency	< 2.5 ms
Response time	1...5 V
Analog output	± 0,5% FS
Accuracy (23°C)	± 1,5% FS (-10°C...60°C)
max. temperature error	± 0,2% FS
Repeatability	≤ 0,1% / a
Long term drift	

Mechanical data

Material housing	Plastic PC
Process connection	G1/8"; NPT1/8"
Material process connection	Brass nickel-plated
Mounting position	Any (port downwards when using oiled air)
Weight	Ca. 20 g

Pressure range

Measuring range	0...0,25 (bar)	-1...0 (bar)	-1...10 (bar)
(psi)	0...3,26	-14.5...0	-14.5...145

max. overpressure*	0,5 (bar)	2 (bar)	15 (bar)
(psi)	7,25	29	217,6

Operating conditions

Operating temperature	Operation: -10°...+60°C (UL: 0°...+60°C) Storage: -20°...+85°C
EMC / interference immunity	EN61000-6-2
EMC / interference emission	EN61000-6-4
UL approval	E511277

*overpressure not continuously allowed