

DATA SHEET | ENGLISH



Mechanical data

Material housing	Anodized aluminum / Plastic ABS
Process connection	G1/8" inside
Material process connection	Anodized aluminum
Mounting position	Any (port downwards when using oiled air)
Weight	32 g

Electrical data

Electrical connection	M8x1, 4-pole; M12x1, 4-pole
Operating voltage	10.8...30 VDC (UL: class 2 source only)
Current consumption	< 15 mA / < 3 mA power saving mode
Short-circuit / reverse polarity protection	yes / yes

Output

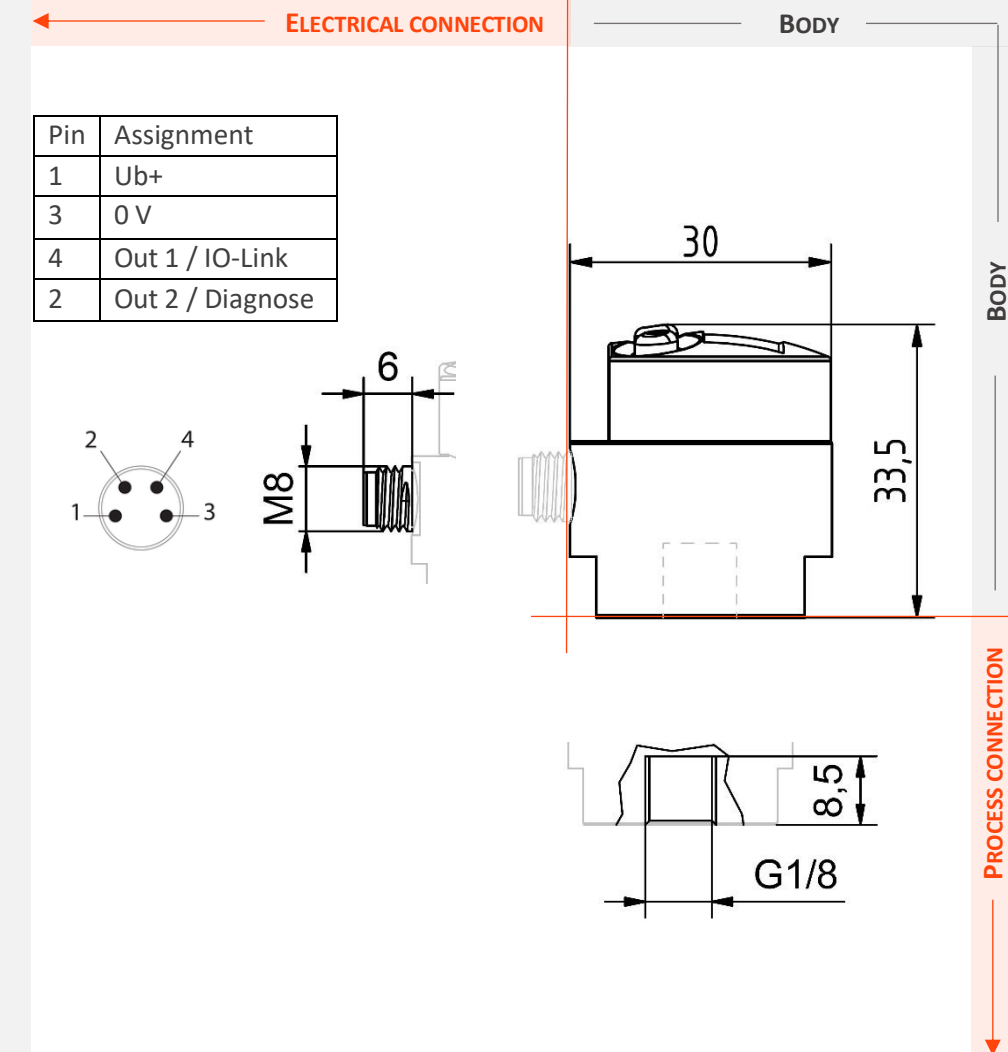
Output signal	2x PNP (IO-Link is optionally available); 2x NPN (only without IO-Link)
Max. output current	max. 250 mA each output
Output function	NO / NC (programmable)
Operating frequency	200 Hz
Response time	< 2.8 ms
Accuracy (23°C)	± 0.5% FS
max. temperature error	± 1.5% FS (-10°C...60°C)
Repeatability	± 0.2% FS
Long term drift	≤ 0.1% / a

Pressure range

Measuring range (bar)	0...0,25	-1...0	-1...1	-1...3	-1...10	0...10	0...12
(psi)	0...3,26	-14.5...0	-14.5...14.5	-14.5...43.5	-14.5...145	0...145	0...174
max. overpressure* (bar)	0,5	2	6	15			
(psi)	7,25	29	87	217.6			

IO-Link

IO-Link specification	Version 1.1
Frame type	2.2
Transmission physics	3-conductor physics (PHY2)
Transmission rate	COM 2 / 38.4 Kbit/s
Process data width	24 bit
Measurement information	16 bit
Switch point information	2 bit
Max. cycle time	5 msec



Operating conditions

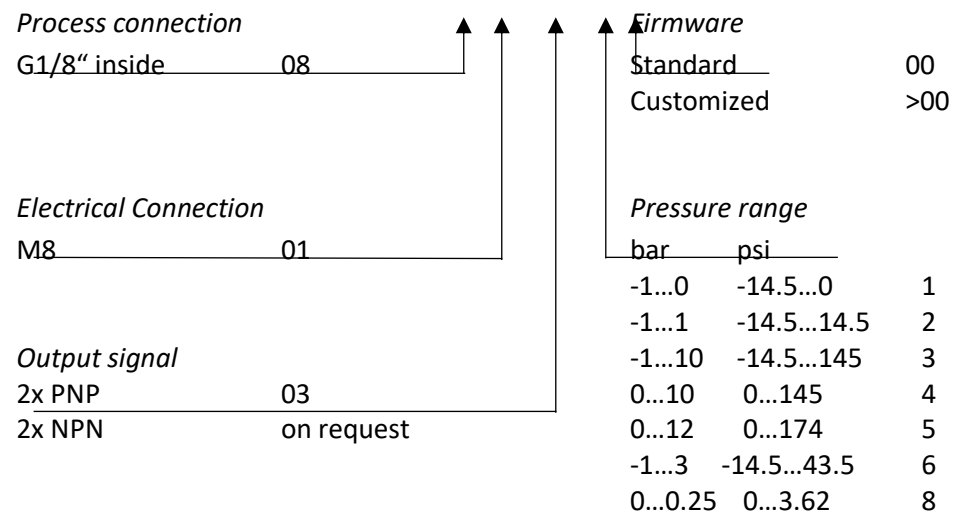
Operating temperature	Operation: -10°...+60°C (UL: 0°...+60°C) Storage: -20°...+85°C
EMC / interference immunity	EN61000-6-2
EMC / interference emission	EN61000-6-4
UL approval	E511277

General data

Display	Digital display
Switching status display	1x LED each output
Setting options	Switch points; NO/NC; Hysteresis/Window mode; diagnostic mode; On/Off Delay; Pressure unit
Operating medium	Filtered, dry or oiled air and non-corrosive gases
Protection class	IP65
MTTF (40°C)	319 years

Ordering information

1 - 06 - XX XX - XX 3 X XX



*overpressure not continuously allowed