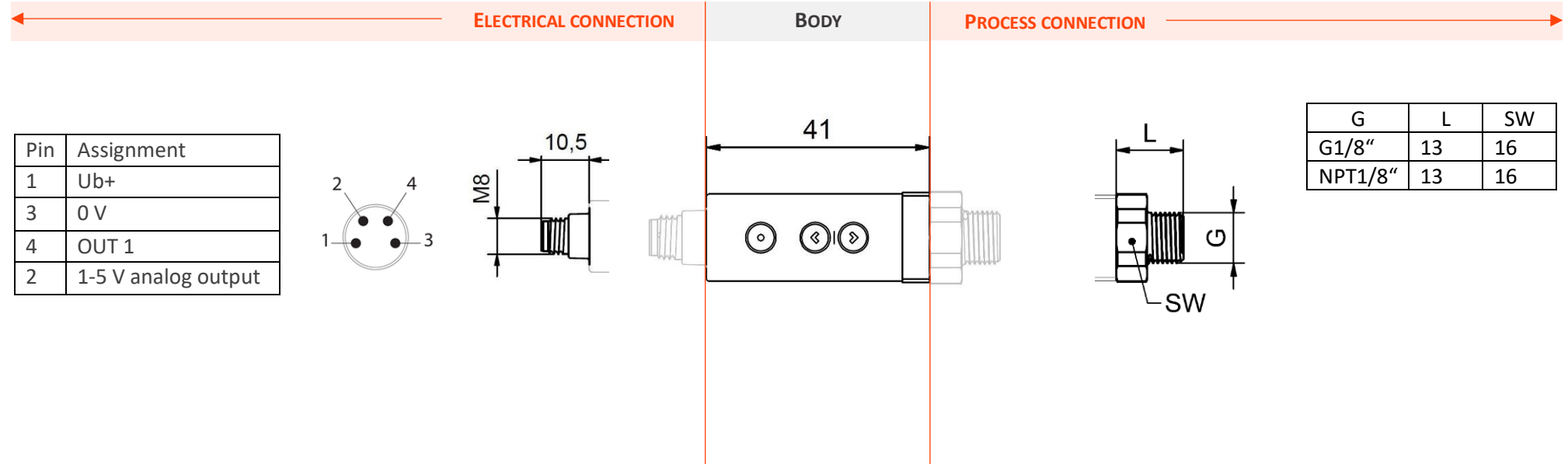


DATA SHEET | ENGLISH



General data

Display	LED operation and switching display
Setting options	Switch point; NO/NC; Hysteresis mode (0...100%)
Operating medium	Filtered, dry or oiled air and non-corrosive gases
Protection class	IP65

Ordering information

1 - 05 - XX 01 - XX 3 X XX

<i>Process connection</i>		<i>Firmware</i>	
G1/8"	02	Standard	00
NPT1/8"	04	Customized	>00
<i>Output signal</i>		<i>Pressure range</i>	
1x PNP + 1x analog 1-5 V	05	bar	psi
1x NPN + 1x analog 1-5 V	on request	-1...0	-14.5...0
		-1...10	-14.5...145

Electrical data

Electrical connection	M8x1, 4-pole
Operating voltage	10.8...30 VDC (UL: class 2 source only)
Current consumption	< 30 mA
Short-circuit / reverse polarity protection	yes / yes

Output

Output signal	1x PNP + 1x analog 1-5 V; 1x NPN + 1x analog 1-5 V
Output voltage	approx. Ub -1.5 V
Max. output current	max. 250 mA each output
Output function	NO / NC (programmable)
Operating frequency	400 Hz
Response time	< 2.5 ms
Analog output	1...5 V
Accuracy (23°C)	± 0,5% FS
max. temperature error	± 1,5% FS (-10°C...60°C)
Repeatability	± 0.2% FS
Long term drift	≤ 0,1% / a

Mechanical data

Material housing	Plastic PC
Process connection	G1/8"; NPT1/8"
Material process connection	Brass nickel-plated
Mounting position	Any (port downwards when using oiled air)
Weight	Ca. 20 g

Pressure range

Measuring range			
(bar)	0...0,25	-1...0	-1...10
(psi)	0...3,26	-14.5...0	-14.5...145
max. overpressure*			
(bar)	0,5	2	15
(psi)	7,25	29	217,6

Operating conditions

Operating temperature	Operation: -10°...+60°C (UL: 0°...+60°C) Storage: -20°...+85°C
EMC / interference immunity	EN61000-6-2
EMC / interference emission	EN61000-6-4
UL approval	E511277

*overpressure not continuously allowed