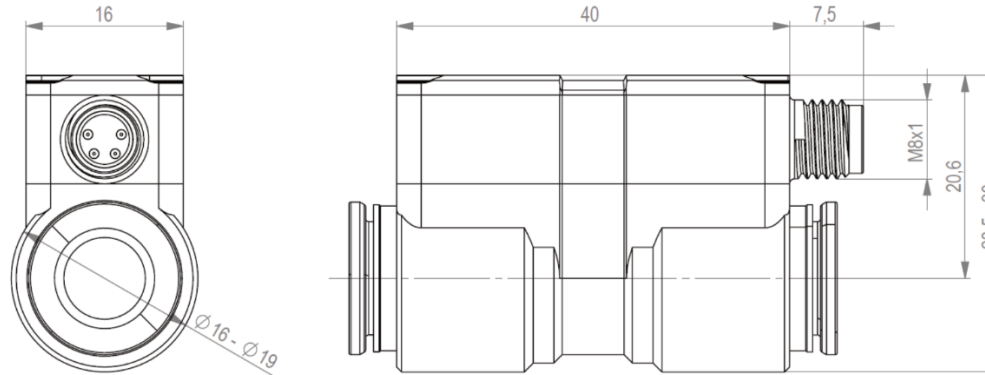


**DATA SHEET | ENGLISH**



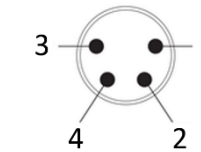
**DIMENSION DRAWING**



**ELECTRICAL CONNECTION**

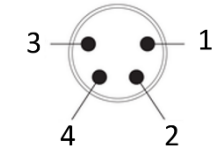
**Version 1xPNP with Poti**

Pin	Assignment
1	Ub+
3	0 V
4	Out 1
2	



**Version 2xPNP with IO-Link**

Pin	Assignment
1	Ub+
3	0 V
4	Out 1 / IO-Link
2	Out 2



**General data**

Display	LED green: Operating display LED yellow: Switching points OUT 1 / 2
Setting options	1xPNP: Switching point via potentiometer 2xPNP: Different parameters via IO-Link, e.g.: Switching points; NO/NC; Hysteresis / Window mode; Switching delay
Operating medium	Filtered, dry or oiled air and non-corrosive gases
Protection class	IP40 / IP68

**Ordering information**

1 - 08 - XX X1 - 0 XX X 00	
hose connection ø4mm	14
hose connection ø6mm	07
hose connection ø8mm	15
hose connection ø10mm	16
protection class IP40	5
protection class IP68	8
1x PNP / NO	11
1x PNP / NC	12
2x PNP with IO-Link	33

**Mechanical data**

Material housing	Plastic PBT/PC
Process connection	Push-in 4/6/8/10 mm
Mounting position	Any
Weight	approx. 20 g (4/6mm) approx. 30 g (8/10mm)

**Electrical data**

Electrical connection	M8x1 4-pole
Operating voltage	9...30 VDC
Current consumption	< 25 mA
Short-circuit / reverse polarity protection	yes / yes

**Output (Version 1xPNP with potentiometer)**

Output signal	1x PNP
Max. output current	max. 100 mA
Output voltage	approx. Ub -1,5 V
Output function	NO/NC (fixed setting)
Switching point	Adjustment potentiometer 5-100%
Switching hysteresis	approx. 5% FS
Repeatability	± 3% FS

**Output (Version 2xPNP with IO-Link)**

Output	2x PNP + IO-Link
Output voltage	approx. Ub -1,5 V
Max. output current	max. 250 mA per output
Output function	NO/NC (programmable)
Accuracy (23°C)	± 0,5% FS
max. temperature error	± 1,5% FS (-10°C...60°C)
Repeatability	± 0,2% FS
Long term drift	≤ 0,1% / a
IO-Link specification	Version 1.1
Transmission rate	COM 2 / 38,4 kBit/s

**Pressure range**

Measuring range (bar)	0...0,25	-1...0	-1...1	-1...3	-1...10	0...10	0...12
max. overpressure* (bar)	0,5	2	6	15			

**Operating conditions**

Operating temperature	Operation: -10°...+60°C Storage: -20°...+85°C
-----------------------	--

EMC / interference immunity	EN61000-6-2
EMC / interference emission	EN61000-6-4

\*overpressure not continuously allowed