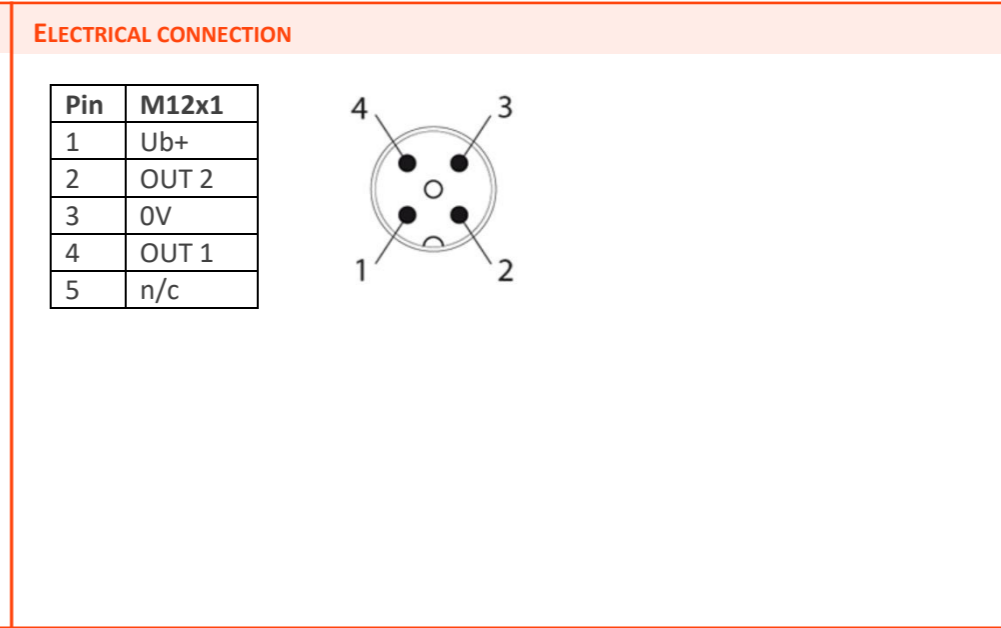
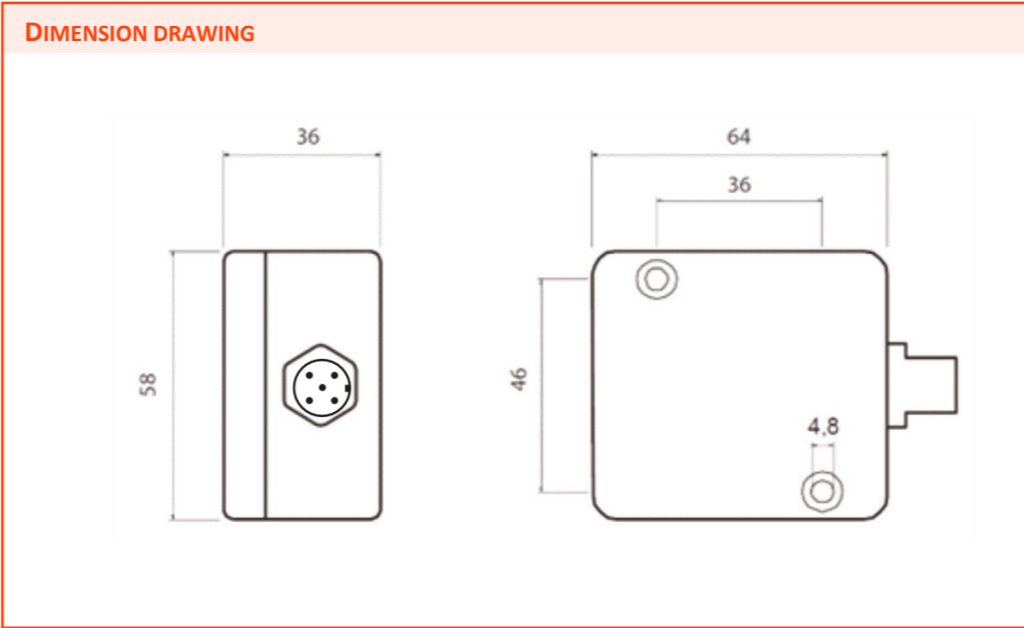


**DATA SHEET | ENGLISH**



**General data**

Display: 4 cross line LED's (green); 3 digit LED Display (programming support and angle display)

Protection class rating: IP67

**Programming options**

Outputs: axis freely selectable for each output; start and end value of the analog signal

Extended functions: reset; reset zero point; mounting direction; screen lock; LEDs/display off; display rotation

Measured value: damping

**Ordering information**

Article number	Adjustment range
50802010	-10°...+10°
50802045	-45°...+45°
50802085	-85°...+85°

**Mechanical data**

Material housing: Aluminum die-cast

Weight: 200 g

**Electrical data**

Electrical connection: M12x1, 5-pole

Operating voltage: 9...30 VDC

Current consumption: < 30 mA

Short-circuit / reverse polarity protection: yes / yes

Output signal: 2x 4...20 mA

**Accuracy**

Repeatability of sensor: 0.03° (typ. at 0°)

Resolution sensor: 0.003°

Resolution internal display: 3 digits (0,1°)

Temperature drift at 0°: 0.01°/°C for -20°...25°...60°C

Long-term stability: ca. 0,03°/a

Overall accuracy (23°): ± 0,1°

**Operating conditions**

Operating temperature: -25°...+80°C

**Active tilting direction**