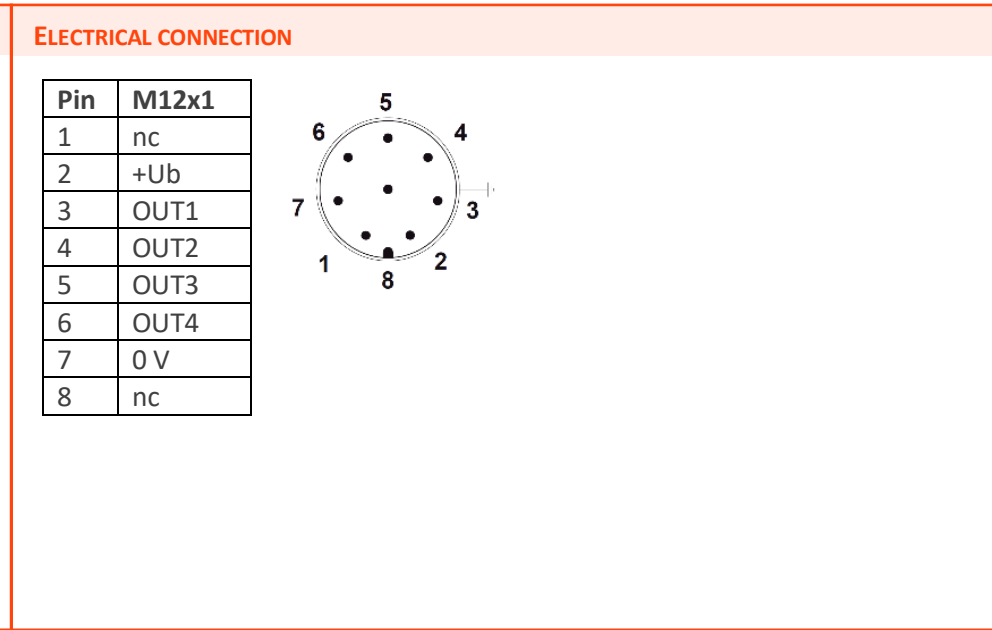
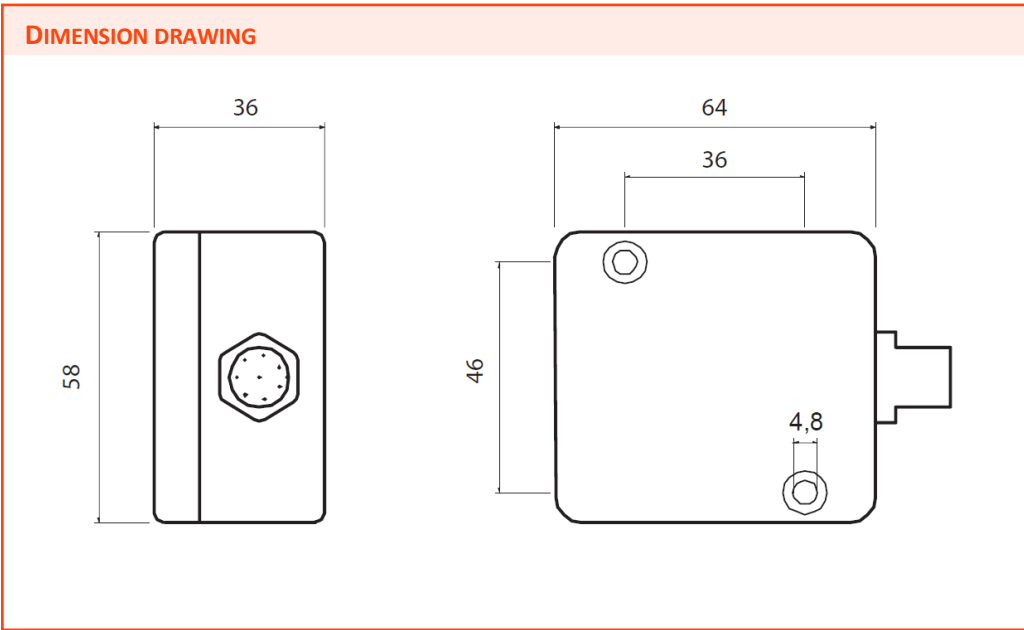


**DATA SHEET | ENGLISH**



**General data**

Display: 1 status LED each output (red); 4 cross line LED's (green); 3 digit LED Display (programming support and angle display)

Protection class rating: IP67

**Programming options**

Outputs: axis freely selectable for each output; switching/reset points; hysteresis/window mode; normally closed/ normally open contact; switch-on/switch-off delay

Extended functions: reset; reset zero point; mounting direction; screen lock; LEDs/display off; display rotation

Measured value: damping

**Ordering information**

Article number	Adjustment range
50752010	-10°...+10°
50752045	-45°...+45°
50752085	-85°...+85°

**Mechanical data**

Material housing: Aluminum die-cast

Weight: 200 g

**Electrical data**

Electrical connection: M12x1, 8-pole

Operating voltage: 9...30 VDC

Current consumption: < 30 mA

Short-circuit / reverse polarity protection: yes / yes

Output signal: 4x PNP

Output voltage: approx. Ub -1.5 V

Max. output current: max. 500 mA each output

Output function: NO / NC (programmable)

**Accuracy**

Repeatability of sensor typ.: 0.03° or 0,1%

Resolution output: 0.02°

Resolution display / settings: 0,1°

Temperature drift at 0°: 0.01°/°C for -20°...+25°...+60°C

Long-term stability: approx. 0,03°/a

Linearity typ.: ± 0,2%

