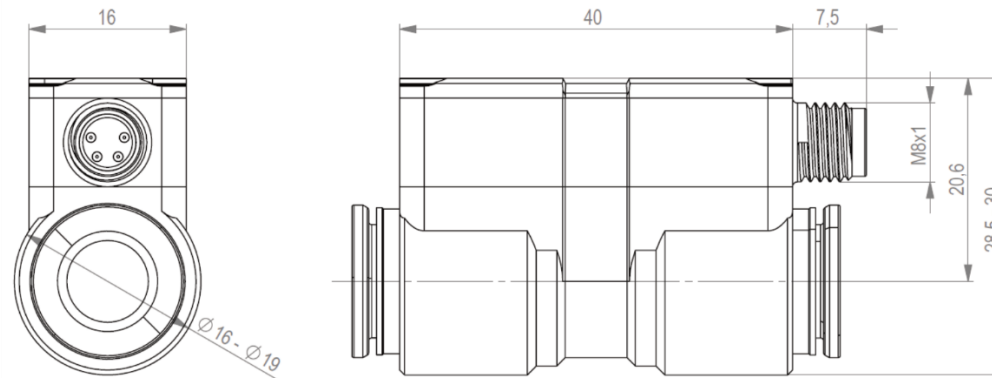


DATA SHEET | ENGLISH

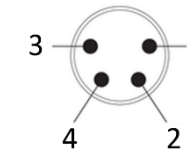


DIMENSION DRAWING



ELECTRICAL CONNECTION

Pin	Assignment
1	Ub+
3	0 V
4	OUT 1
2	NC



General data

Operating medium	Filtered, dry or oiled air and non-corrosive gases
Protection class	IP40/IP68
MTTF (40°C)	2.176 years (4-20mA) 2.528 years (0-10V / 1-10V)

Ordering information

1 - 08 - XX X1 - XX 0 X 00

Process connection

hose connection Ø4mm	14
hose connection Ø6mm	07
hose connection Ø8mm	15
hose connection Ø10mm	16

Protection class

IP40	5
IP68	8

Output signal

4...20 mA	07
0...10 V	09
1...10 V**	10
1...5 V	11

Pressure range

bar	psi	
-1...0	-14.5...0	1
-1...1	-14.5...14.5	2
-1...10	-14.5...145	3
0...10	0...145	4
0...12	0...174	5
-1...3	-14.5...43.5	6
0...0,25	0...3,625	8

Mechanical data

Material housing	Plastic PBT/PC
Process connection	Push-in 4/6/8/10 mm
Mounting position	Any
Weight	approx. 20 g (4/6mm) approx. 30 g (8/10mm)

Electrical data

Electrical connection	M8x1, 4-pole; M12x1, 4-pole
Operating voltage	9...30 VDC (4...20 mA); 14...30 VDC (1...10 V; 0...10 V; 1...5V)
Short-circuit / reverse polarity protection	yes / yes
Output signal	4...20 mA; 1...10 V; 0...10 V; 1...5 V
Accuracy (23°C)	± 0,5% BTLs
max. temperature error	± 1,5% FS (-10°C...70°C)
Repeatability	± 0.2% FS
Long term drift	≤ 0,1% / a

Pressure range

Measuring range (bar)	0...0,25	-1...0	-1...1	-1...3	-1...10	0...10	0...12
max. overpressure* (bar)	0,5	2	6	15			

Operating conditions

Operating temperature	Operation: -10°...+60°C Storage: -20°...+85°C
EMC / interference immunity	EN61000-6-2
EMC / interference emission	EN61000-6-4

*overpressure not continuously allowed | ** may not be available for every pressure range